



PLANETARY MIXER BM-5

Table-top model with 5-lt. / qt. bowl.



- ✓ Height: 537 mm
- Net weight: 16.5 Kg
- Noise level (1m.): <80 dB(A)
- Background noise: 45 dB(A)

Crated dimensions
 360 x 430 x 565 mm
 Gross weight: 20.1 Kg

AVAILABLE MODELS

- 1500170 Food mixer BM-5 230/50-60/1
- 1500175 Food mixer BM-5 120/50-60/1

* Ask for special versions availability

SALES DESCRIPTION

Designed for medium duty use.

Professional food mixer for preparing dough (bread, cake...), egg whites (soufflés, meringue...), sauces (mayon-naise...) and minced meat mixtures.

- ✓ Compact model, ideal for up to 50 covers.
- ✓ Equipped with an extractible safety guard.
- ✓ Continuous variable electronic speed control.
- ✓ Lever operated bowl lift.
- ✓ Double micro switch for bowl position and safety guard.
- ✓ NSF-International certified appliance (complying with Hygiene, Clean-ing and Food Material regulations).

INCLUDES

- ✓ Stainless steel bowl.
- ✓ Beater spatula for soft dough.
- ✓ Spiral hook for heavy dough.
- ✓ Balloon whisk.

ACCESSORIES

- Bowls for planetary mixers

SPECIFICATIONS

Bowl capacity: 5 l
 Bowl dimensions: -- mm x -- mm
 Capacity in flour (60% water): 1.5 Kg
 Timer (min-max): -- ' - -- '
 Tool speed: 85-495 rpm
 Total loading: 250 W

External dimensions (WxDxH)

- ✓ Width: 310 mm
- ✓ Depth: 382 mm

DYNAMIC PREPARATION
PLANETARY MIXERS

product sheet
updated 06/06/2023



SAMMIC S.L.
Basiglio, 1 - 20129 AZCOITIA
www.sammic.com

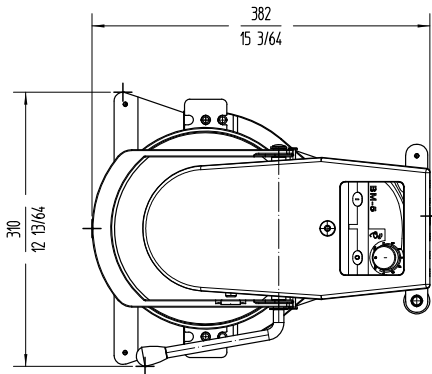
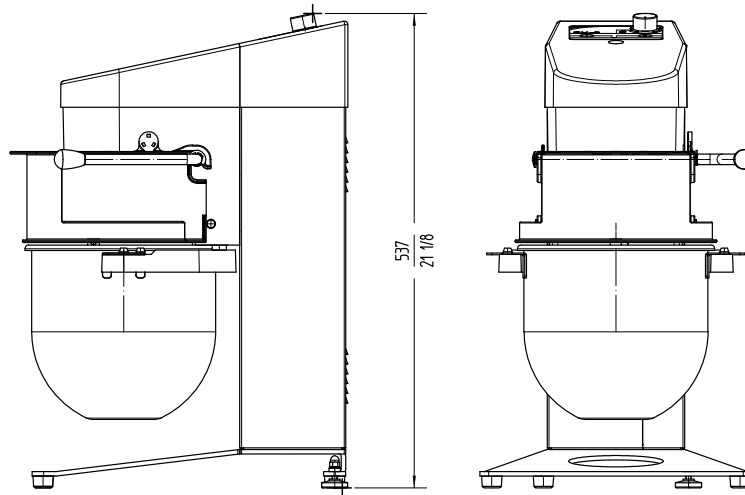


PLANETARY MIXER BM-5

Table-top model with 5-lt. / qt. bowl.



DYNAMIC PREPARATION
PLANETARY MIXERS



sammic | www.sammic.com
Food Service Equipment Manufacturer

Polígono Basarte, 1.
20720 Azkoitia, Spain

phone +34 943 15 72 36
sales@sammic.com



Project	Date
Item	Qty
Approved	

product sheet
updated 06/06/2023