



# HOSHIZAKI

## IM-100CNE-HC

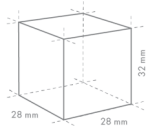
### Cuber, Self Contained

Production Capacity (kg/24h) approx. (AT 10°C, WT 10°C): 105

Storage bin capacity (kg) approx.: 38



ICE TYPE: Large cubes, Standard



Cube Size: **L-STANDARD**  
Weight: 23 g

PRODUCT SERIES: IM  
ITEM NUMBER: M068  
COUNTRY OF ORIGIN: UK

Hoshizaki IM-100CNE-HC is a self-contained ice maker producing up to 105 kg of cube ice per 24 hours.

Ice cube dimensions and weight - disclaimer: The drawing is for illustration purposes only. Cube size and weight may differ due to local installation conditions.

- Ice making system with an automatic rinse cycle
- Each ice cycle is made with fresh water
- Closed Cell System helps produce compact, hard and geometrically perfect ice
- Closed water circuit for contamination protection
- Electronic controller
- System comes with a magnetic water pump that has no direct coupling, which prevents any leakage
- Cleanable air filter
- Removable door gasket

**WARRANTY PERIOD**  
**2 Years on Parts & Labour**

**EXTERIOR**  
Stainless steel AISI 441, Galvanized steel (Rear)

Refrigerant: R290 / Refrigerant (kg): 0.125 / CO2 equivalent (kg): 0.375

**OPERATING CONDITIONS**  
Ambient Temp.: 1-40°C, Water Supply Temp.: 5-35°C, Water Supply Pressure: 0.07-0.8MPa (0.7-8bar), Voltage Range: Rated Voltage ±6%

#### ACCESSORIES INCLUDED

Scoop, installation kit

#### OPTIONAL ACCESSORIES

4HC-H water filtration

#### CORRESPONDING WATER FILTERS

4HC-H Single Water Filter, 4HC Replacement Cartridge

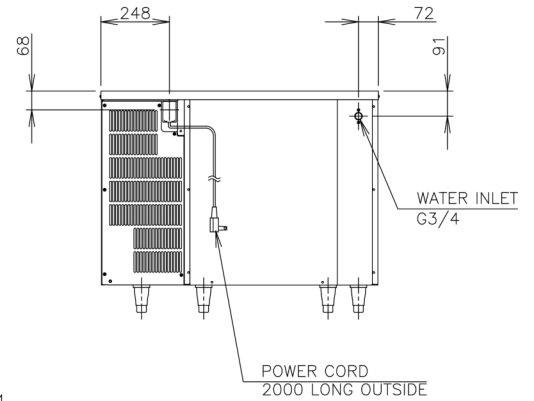
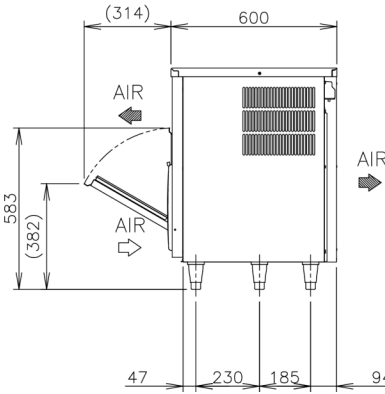
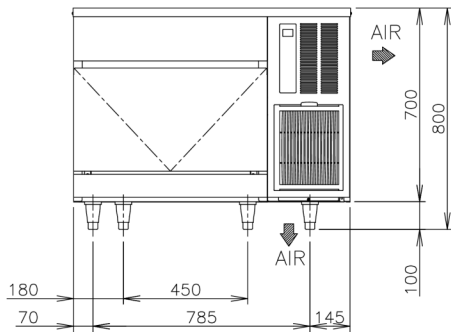
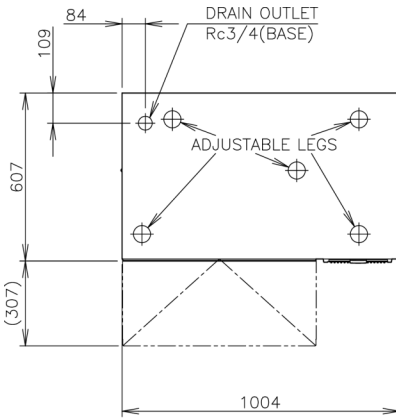
#### CERTIFICATIONS





# HOSHIZAKI

## IM-100CNE-HC



### TECHNICAL SPECIFICATIONS

Cooling System	Production Capacity (kg/24h) approx. (AT 10°C, WT 10°C)	Production Capacity (kg/24h) approx. (AT 21°C WT 15°C)	Production Capacity (kg/24h) approx. (AT 32°C WT 21°C)	Power supply	Electrical Circuit Breaker Protection (A)	Electric Consumption (kW)	Water Consumption (m3/24h) approx. (AT 10°C WT 10°C)	Heat Rejection (AT 32°C, WT 21°C) (kW)
Air Cooled	105	95	84	1/220 - 240V/50Hz	5	0.5	0.47	1.15

### SHIPPING SPECIFICATIONS

Dimensions Legs	Net weight (kg)	Dimensions packed W x D x H (mm)	Gross Weight Packed (kg)	Volume packed (m3)
for legs add 100mm	77	1110 x 700 x 875	88	0.68

Disclaimer: Every effort has been made to ensure that the information contained in this spec sheet is accurate at the time of publishing. Hoshizaki Europe BV assumes no responsibility or liability for typographical errors or omissions or for any misinterpretation of the information within the publication and reserves the right to change without notice.



# HOSHIZAKI

Hoshizaki Belgium  
 Hoshizaki Denmark  
 Hoshizaki Deutschland  
 Hoshizaki France  
 Hoshizaki Iberia  
 Hoshizaki Italia  
 Hoshizaki Middle East

[info@hoshizaki.be](mailto:info@hoshizaki.be)  
[info@hoshizaki.dk](mailto:info@hoshizaki.dk)  
[vertrieb@hoshizaki.de](mailto:vertrieb@hoshizaki.de)  
[info@hoshizaki.fr](mailto:info@hoshizaki.fr)  
[info@hoshizaki.es](mailto:info@hoshizaki.es)  
[info@hoshizaki.it](mailto:info@hoshizaki.it)  
[sales@hoshizaki.ae](mailto:sales@hoshizaki.ae)

Hoshizaki Netherlands  
 Hoshizaki Norge  
 Hoshizaki Sverige  
 Hoshizaki UK  
 Export countries  
 Other countries

[info@hoshizaki.nl](mailto:info@hoshizaki.nl)  
[salg@hoshizaki.no](mailto:salg@hoshizaki.no)  
[orderSE@hoshizaki.dk](mailto:orderSE@hoshizaki.dk)  
[uksales@hoshizaki.uk](mailto:uksales@hoshizaki.uk)  
[sales@hoshizaki.nl](mailto:sales@hoshizaki.nl)  
[sales@hoshizaki.nl](mailto:sales@hoshizaki.nl)

[www.hoshizaki.uk](http://www.hoshizaki.uk)