

AN EVEN WIDER CHOICE

The range of **Tournus GC wash basins** now includes 6 models for 6 different ways to equip your kitchen.



Ref. 806 381

- **the simple GC wash basin:** the bowl, with apron around 3 sides and a 29 mm rim at the back, fixes to the wall with screws.



Ref.: 806 383

NEW - **the GC wash basin with 540 mm high splash back:** the splash back is especially designed to make splashes run back into the bowl so that the wall is completely protected against dampness. The splash back includes an integral soap dispenser, capacity 350 ml.

NEW - **the GC wash basin with 790 mm high splash back:** this has all the advantages of the previous model, while the higher splash back brings the additional possibility of fixing a paper towel dispenser, capacity 250 towels.



Ref.: 806 385

All these wash basins have knee-actuated controls, and the tap is turned on by pressing the paddle located on the front panel.



Ref.: 806 387

- **the GC wash basin with electronic controls:** the tap is turned on when the hands are placed underneath the goose neck, and is controlled by an adjustable timer. It is fitted with a 540 mm high splash back and liquid soap dispenser.

Wall-mounted waste bins:

- made of stainless steel
- made of PVC



Ref.: 806 395



Ref.: 806 396

STURDY AND ERGONOMIC

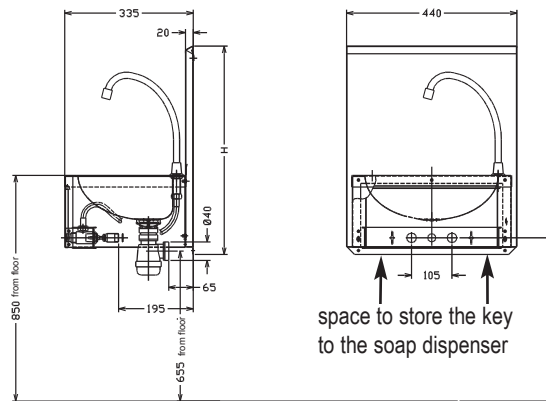
The **GC wash basin** is a sturdy product designed to be long-lasting. It is made of 1810 grade stainless steel. It comes complete with a hot and cold water pre-mixer, equipped with check valves in order to protect the mains drinking water supply. It is supplied with the fixing strut, the hose to connect the pre-mixer to the goose neck, the goose neck itself, and the sink pipe and trap.

NEW

The tap outlet has an aerator giving a softer stream of water with fewer splashes.

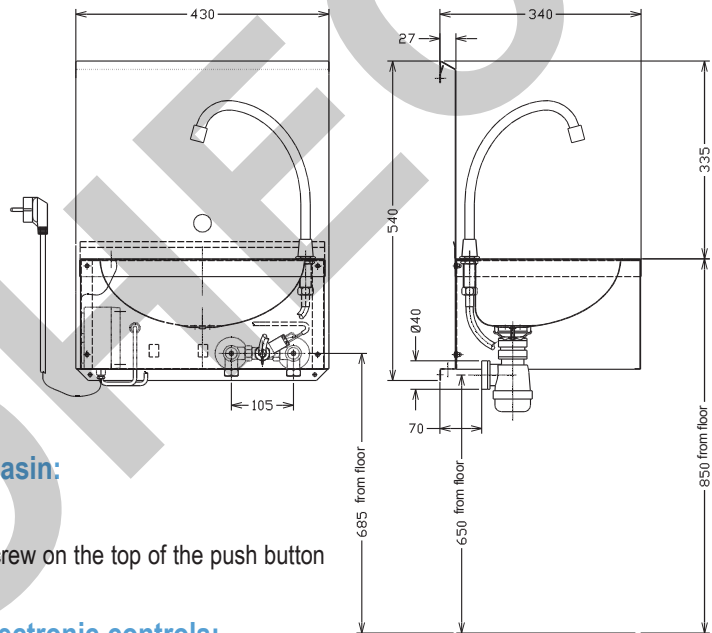
GC WASH BASIN

TECHNICAL SPECIFICATIONS



Common characteristics:

- Constructed from 1810 stainless steel, bowl 345 x 245 x 120 mm.
- Goose neck tap height 150 mm with aerator.
- Temperature adjusted by means of 2 hot/cold water supply taps fitted with check valves, accessed under the control paddle or front panel.
- Connection to 2 male threaded inlets 15 x 21.
- Delivered with fixing strut, pipe for connecting the pre-mixer to the goose neck, the goose neck itself, and sink pipe and trap.



Knee valve GC wash basin:

- Knee valve with timer
- Flow rate controlled by a screw on the top of the push button

GC wash basin with electronic controls:

- Control with timer, pre-set to 2 seconds, adjustable up to 12 seconds
- Power supply cable 3 x 1.5 mm length 2 m, with plug
- Soap dispenser locked with key
- The wash basin must be earthed

Reference	Description
806 381	Wash basin without splash back
806 382	Wash basin with splash back (height 540 mm)
806 383	Wash basin with splash back (height 540 mm) and soap dispenser
806 384	Wash basin with splash back (height 790 mm)
806 385	Wash basin with splash back (height 790 mm), soap and paper towel dispensers
806 387	Electronic control wash basin with splash back (height 540 mm) and soap dispenser
806 395	Stainless steel wall-mounted waste bin
806 396	PVC wall-mounted waste bin
230 394	Soap dispenser 350 ml.
230395	Paper towel dispenser, capacity 250 towels