



# HOSHIZAKI

## B-210 SA

The B-210 SA ice storage bin is the perfect match for a wide range of Hoshizaki Ice makers

### MODELS AVAILABLE

B-140 SA    B-210 SA    B-340 SA



SERIES: ICE STORAGE BINS  
ITEM: G015

### FEATURES:

Convenient, global standard width 76 cm (22"), fits nicely in most spaces, matching a wide range of Hoshizaki ice makers.

Sturdy construction provide safe and sanitary storage of Cube and Flake Ice.

ABS plastic, light-weight, insulated door, for ease of handling and comfortable access to ice.

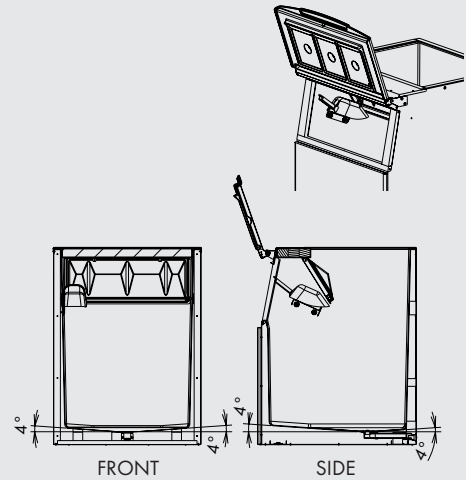
Door opening angle allows for stable rest position during ice scooping.

Stainless-steel front and sides for added resistance to corrosion and ease of cleaning.

Blue polyethylene bin liner with rounded corners allows for faster collection of ice.

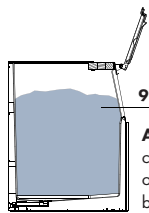
Ecological insulation foam blowing agent.

Back-panel drain connection.



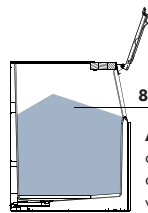
**Max. storage capacity up to 210 kg**

**AHRI storage capacity up to 165 kg**



**90% Volume**

**Application:**  
capacity calculated on 90% total volume based on rate of 480 Kg/m<sup>3</sup> (2,08 dm<sup>3</sup>/Kg)



**80% Volume**

**AHRI:** capacity calculated on 80% of total volume based on rate of 480 Kg/m<sup>3</sup> (2,08 dm<sup>3</sup>/Kg)

**COMMERCIAL WARRANTY AGAINST MANUFACTURING DEFECTS**

PARTS **2** YEARS

LABOUR **2** YEARS

### STANDARD ACCESSORIES

- Scoop
- Scoop holder
- Legs
- Drain tube
- Nipple

MODEL	Exterior	Interior	Door style	Insulation	Connection-drain	Outside dimensions W x D x H (mm)	Adjustable legs height (mm)
<b>B-210 SA</b>	Stainless Steel, Galvanized Steel (Rear), Plastic Door	Polyurethane	Upward Opening	Polyurethane foam	Outlet 3/4" (connected at rear side)	762 x 820 x 1016	90 - 120 mm

TECHNICAL CERTIFICATIONS



For more information visit our website at [www.hoshizaki-europe.com](http://www.hoshizaki-europe.com)

Hoshizaki Europe B.V. retains the right to change products and their specifications without prior notice.

**Hoshizaki Europe B.V.**  
Burgemeester Stramanweg 101,  
1101 AA Amsterdam  
The Netherlands

T: +31 (0)20 691 8499  
F: +31 (0)20 691 8768  
sales@hoshizaki.nl  
[www.hoshizaki-europe.com](http://www.hoshizaki-europe.com)

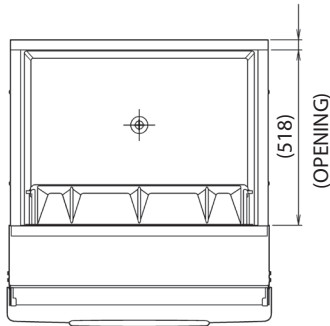
# B-210 SA

The B-210 SA ice storage bin is the perfect match for a wide range of Hoshizaki Ice makers

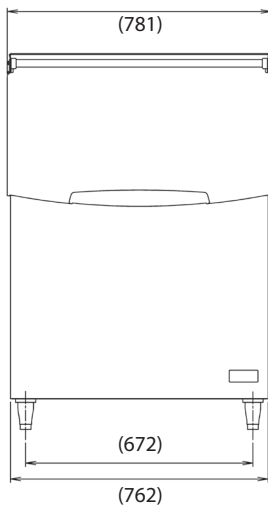


# HOSHIZAKI

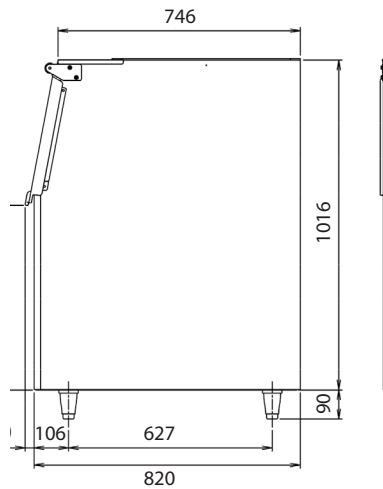
LEADING NATURALLY



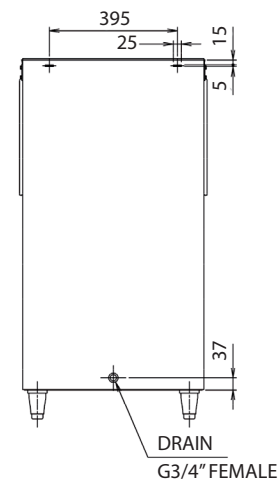
TOP



FRONT



SIDE



REAR

### Perfect matching with icemakers

Ice maker model	B-240 SA
FM-750	•
FM-1000	•
FM-1200	•

### Kit for matching ice makers

Ice maker model	B-240 SA
IM-130A/-HC	TK 8 D
IM-240A/-HC	TK 8 D
KM-520/660	TK 8 D
KM-520/660	TK 8 D
KMD-201	TK 8 D
KMD-270	TK 8 D
FM-150	TK 8 D
FM-300/-HC	TK 8 D
FM-480/-HC	TK 8 D
FM-600	TK 8 D

### SHIPPING SPECIFICATIONS

MODEL	Net Equipment Dimensions		Crated dimensions		
	W x D x H (mm)	Net Weight (kg)	W x D x H (mm)	Gross Weight (kg)	Volume (m <sup>3</sup> )
B-210 SA	762 x 820 x 1016	52	871 x 928 x 1201	67	0,98



Hoshizaki Belgium:  
Hoshizaki Denmark:  
Hoshizaki Deutschland:  
Hoshizaki France:  
Hoshizaki Iberia:  
Hoshizaki Italia:

info@hoshizaki.be  
info@hoshizaki.dk  
info@hoshizaki.de  
info@hoshizaki.fr  
info@hoshizaki.es  
info@hoshizaki.it

Hoshizaki Middle East:  
Hoshizaki Netherlands:  
Hoshizaki Norge:  
Hoshizaki United Kingdom:  
Hoshizaki Sverige:  
Export Countries:

sales@hoshizaki.ae  
info@hoshizaki.nl  
info@hoshizaki.no  
uksales@hoshizaki.co.uk  
info@hoshizaki.se  
sales@hoshizaki.nl

[www.hoshizaki-europe.com](http://www.hoshizaki-europe.com)